

PRESS PHOTOS

Showers – Blue Responsibility



01: "The flow rate through the IdealRain hand held and overhead showers is limited to only 8l or 12l per minute.

Source: Ideal Standard



02: Modern sprayface with quiet single jets and reduced water consumption

Source: Aloys F. Dornbracht GmbH & Co. KG



03: With the Freshline shower head after showering the excess water flows through the emptying function.

Source: Kludi GmbH & Co. KG

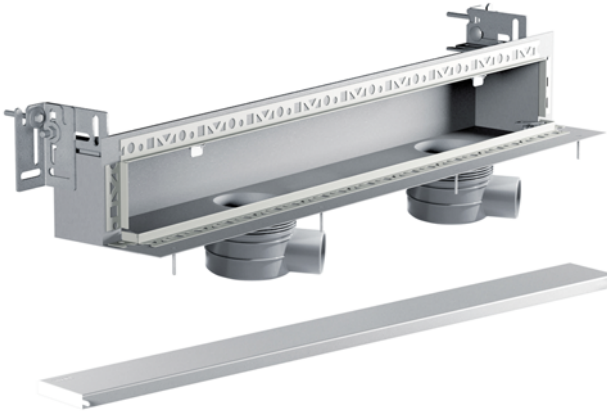


04: The separate jet hose in the shower ensures cold water for hot-cold change over showers. Hose connection and holder are integrated in one module.

Source: KEUCO GmbH & Co.KG

Blue Responsibility

Nachhaltige Sanitärlösungen



05: Powerful for a larger discharge volume: The shower channel with double flow guarantees 1l total drainage per second

Source: Mepa – Pauli und Menden GmbH



06: The amount of water is controlled and throttled by a sophisticated technology by means of volume regulators.

Source: Neoperl GmbH



07: Dual-shower systems from Kludi can be adapted exactly to the respective installation situation.



08: Low-noise spa rain shower despite reduced water flow

Source: Aloys F. Dornbracht GmbH & Co. KG

Blue Responsibility

Nachhaltige Sanitärlösungen

Source: Kludi GmbH & Co. KG

Press contact:

Blue Responsibility

c/o Counterpart Group GmbH

Antje Frommfeld / Agnes Plümer

Kamekestr. 21, 50672 Köln

Tel.: 0221 / 951441-913 /-911

antje.frommfeld@counterpart.de / agnes.pluemer@counterpart.de